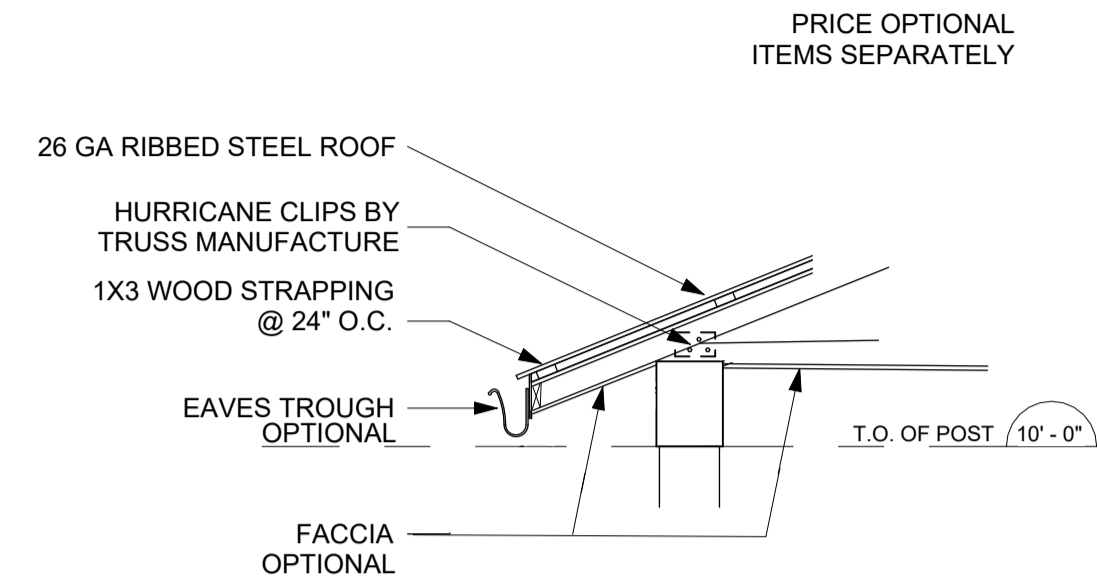


6 NORTH  
A101 SCALE 1/4" = 1'-0"

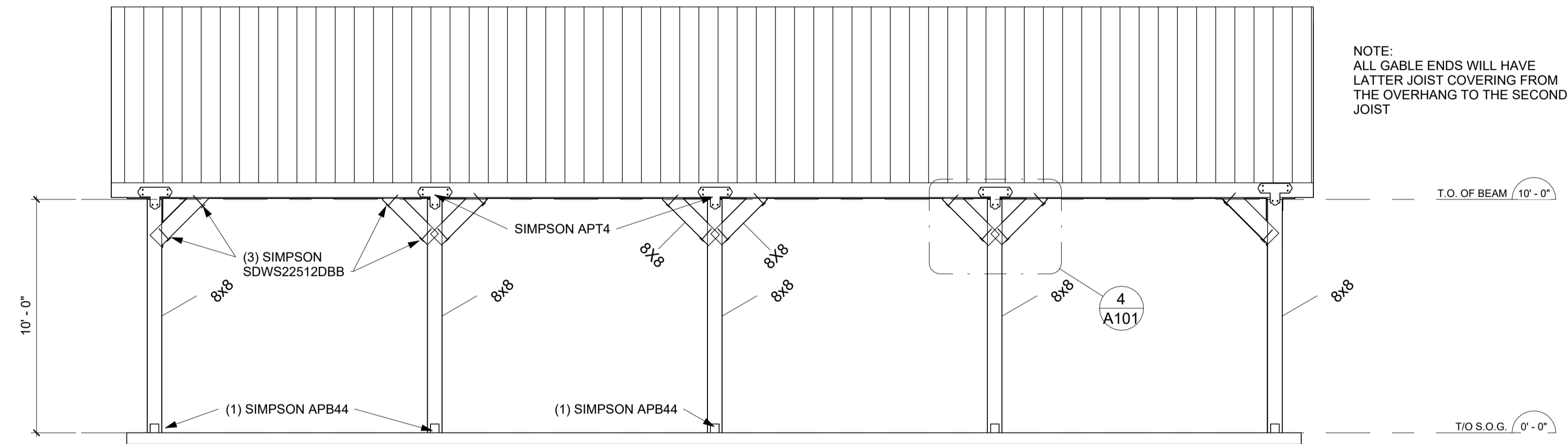


7 OVERHAND DETAIL  
A101 SCALE 1/2" = 1'-0"

PRICE OPTIONAL  
ITEMS SEPARATELY

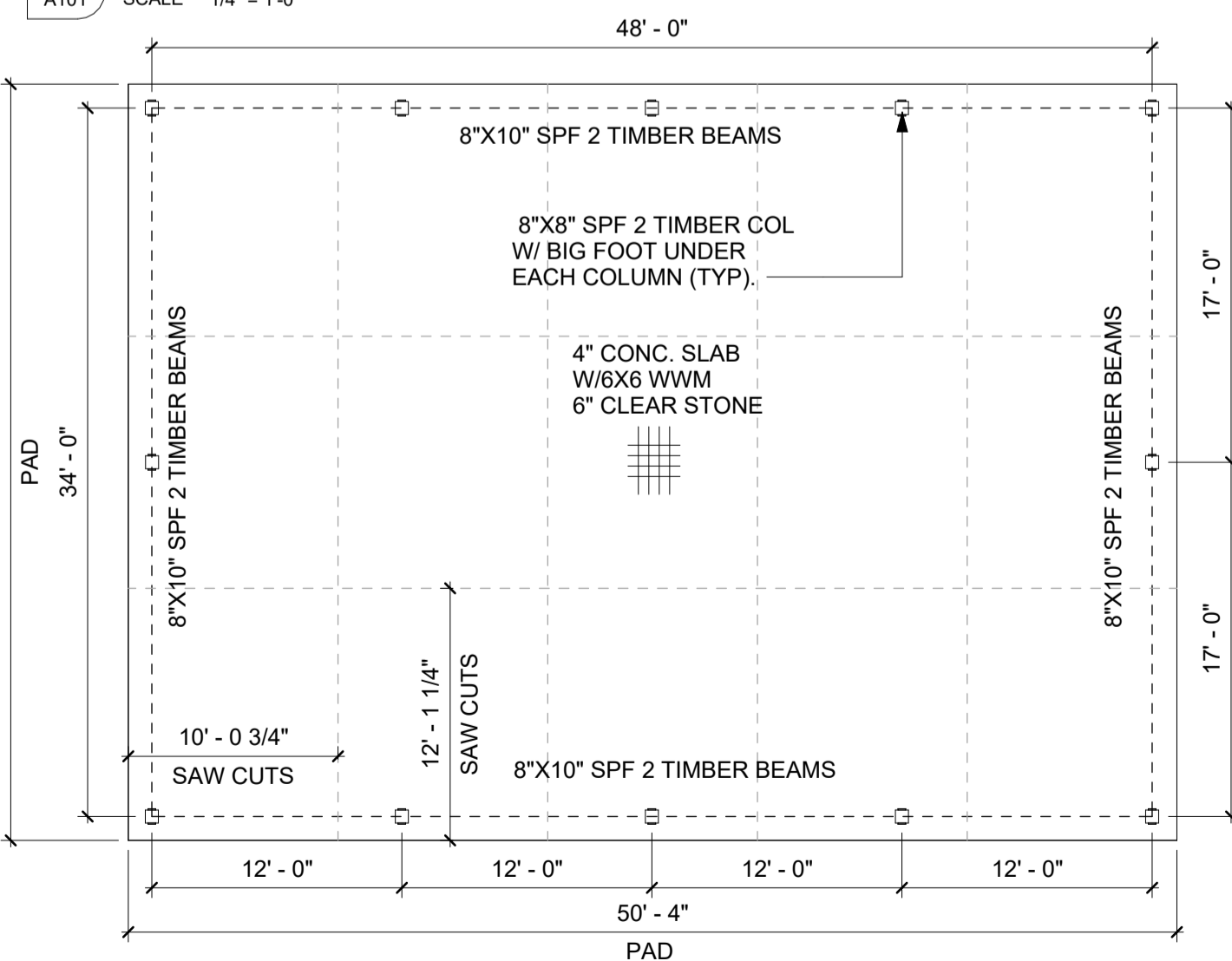
### PAVILION

AREA  
SLAB = 1826 FT<sup>2</sup>  
PAVILION = 1644 FT<sup>2</sup>

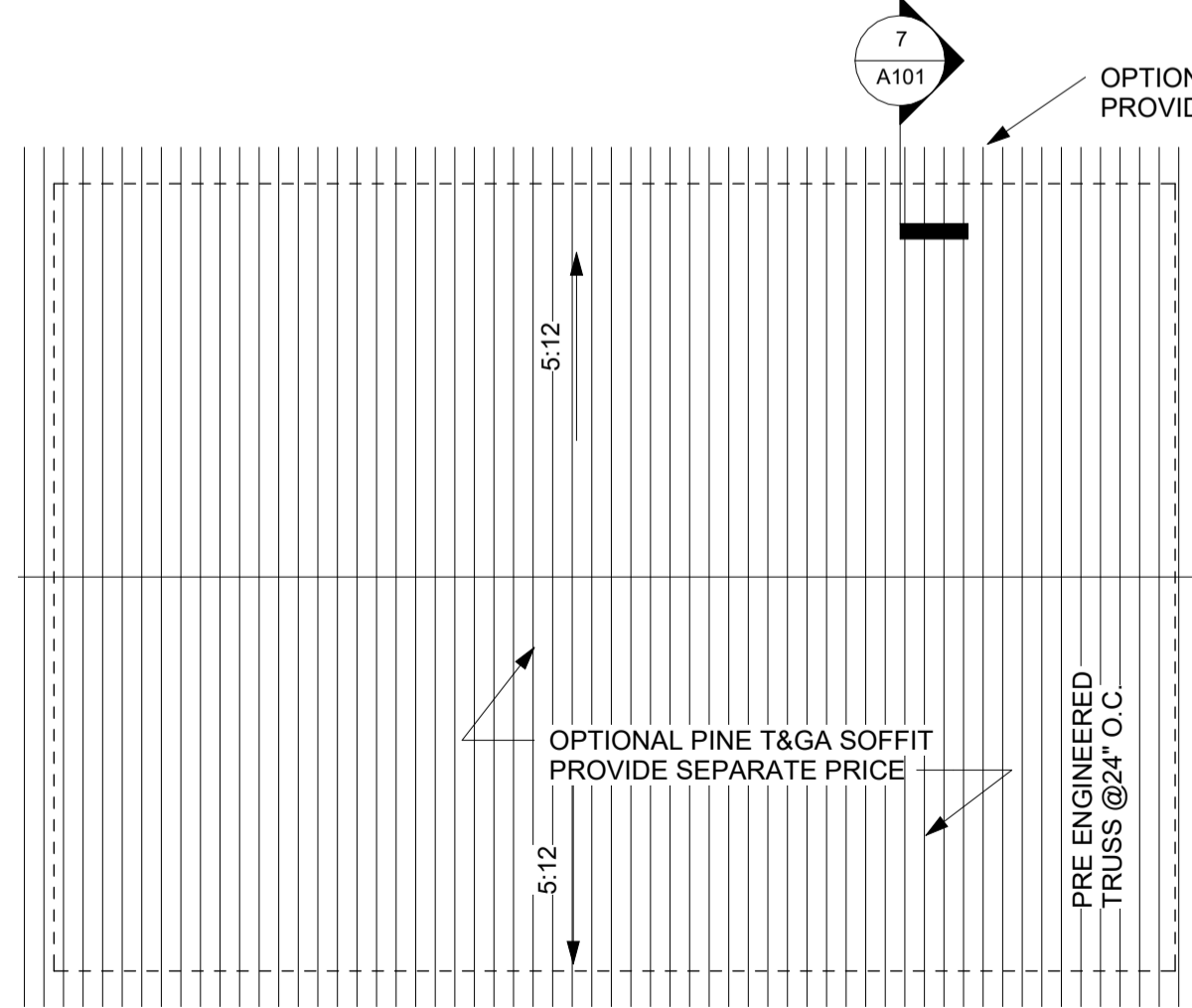


5 EAST  
A101 SCALE 1/4" = 1'-0"

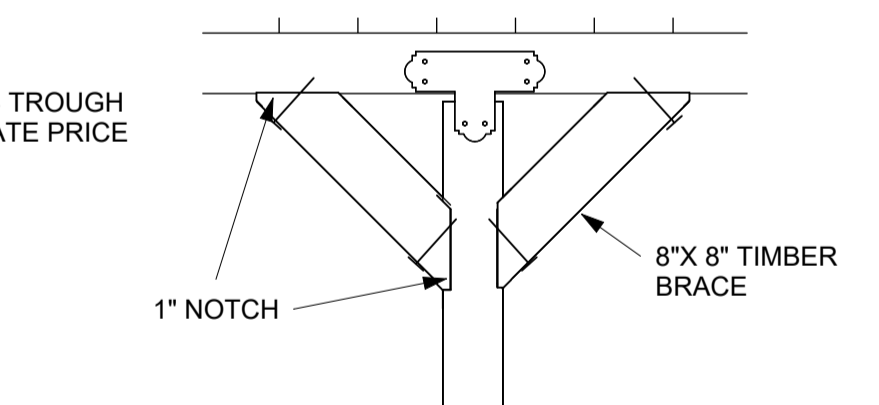
NOTE:  
ALL GABLE ENDS WILL HAVE  
LATTER JOIST COVERING FROM  
THE OVERHANG TO THE SECOND  
JOIST



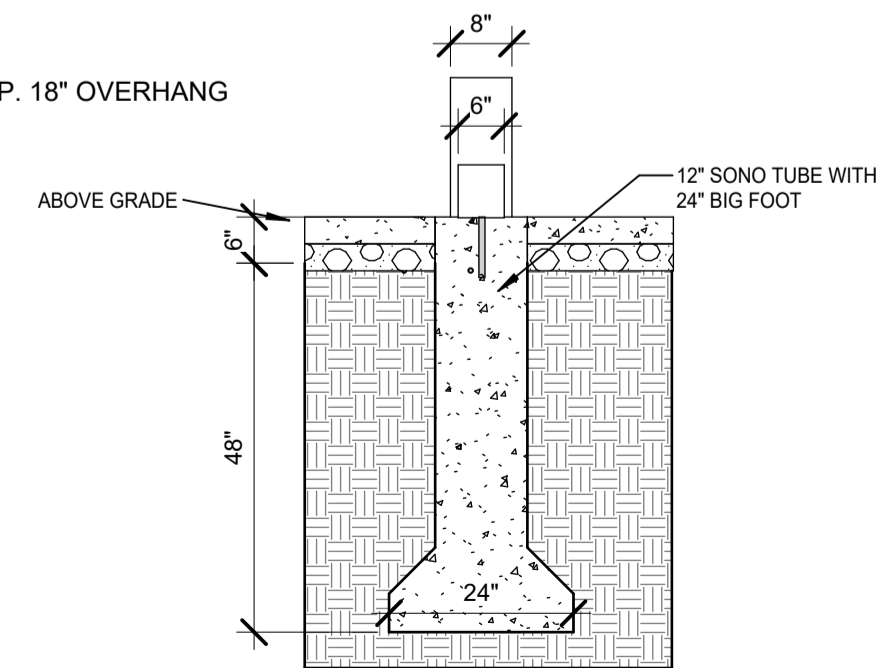
1 S.O.G.  
A101 SCALE 1/8" = 1'-0"



2 ROOF  
A101 SCALE 1/8" = 1'-0"



4 KNEE BRACE CONNECTION  
A101 SCALE 1/2" = 1'-0"



3 TYPICAL BIG FOOT FOOTING  
A101 SCALE 1 : 25



THIS DRAWING IS COPYRIGHTED AND REMAINS THE PROPERTY OF THREE HILLS ENGINEERING LTD. AND MAY NOT BE REPRODUCED WITHOUT THE EXPRESS WRITTEN CONSENT OF THREE HILLS ENGINEERING LTD.

ALL DIMENSIONS MUST BE VERIFIED ON SITE BEFORE COMMENCING CONSTRUCTION.

THE BUILDING WAS DESIGNED IN ACCORDANCE WITH THE O.B.C. AT THE TIME OF PRINTING.

| No. | DESCRIPTION      | DATE       |
|-----|------------------|------------|
| 01  | ISSUE FOR PERMIT | 06/03/2026 |

**THREE HILLS ENGINEERING LTD.**  
233 FRONT STREET, BELLEVILLE, ON, K8N 2Z4  
PHONE: (613) 902-0036 TOLL FREE: (844) 4-3HILLS  
www.threehillsengineering.com

JOB TITLE  
**NEW PAVILION 34x48**  
NAME  
Quinte Conservation  
Macaulay Mountain CA

### PAVILION PLAN AND SECTION

PROJECT # 0832604199 DATE 05/16/2026  
DRAWN BY G.A.D. DRAWING #

CHECKED BY M.D.V.  
SCALE As indicated

# A101